

TANCO AUTOWRAP

1988

OPERATORS HANDBOOK
AND
SPARE PARTS LISTS

570622

050

050



TANCO AUTOWRAP 1989/90 MACHINE

BALE WRAP INDICATOR

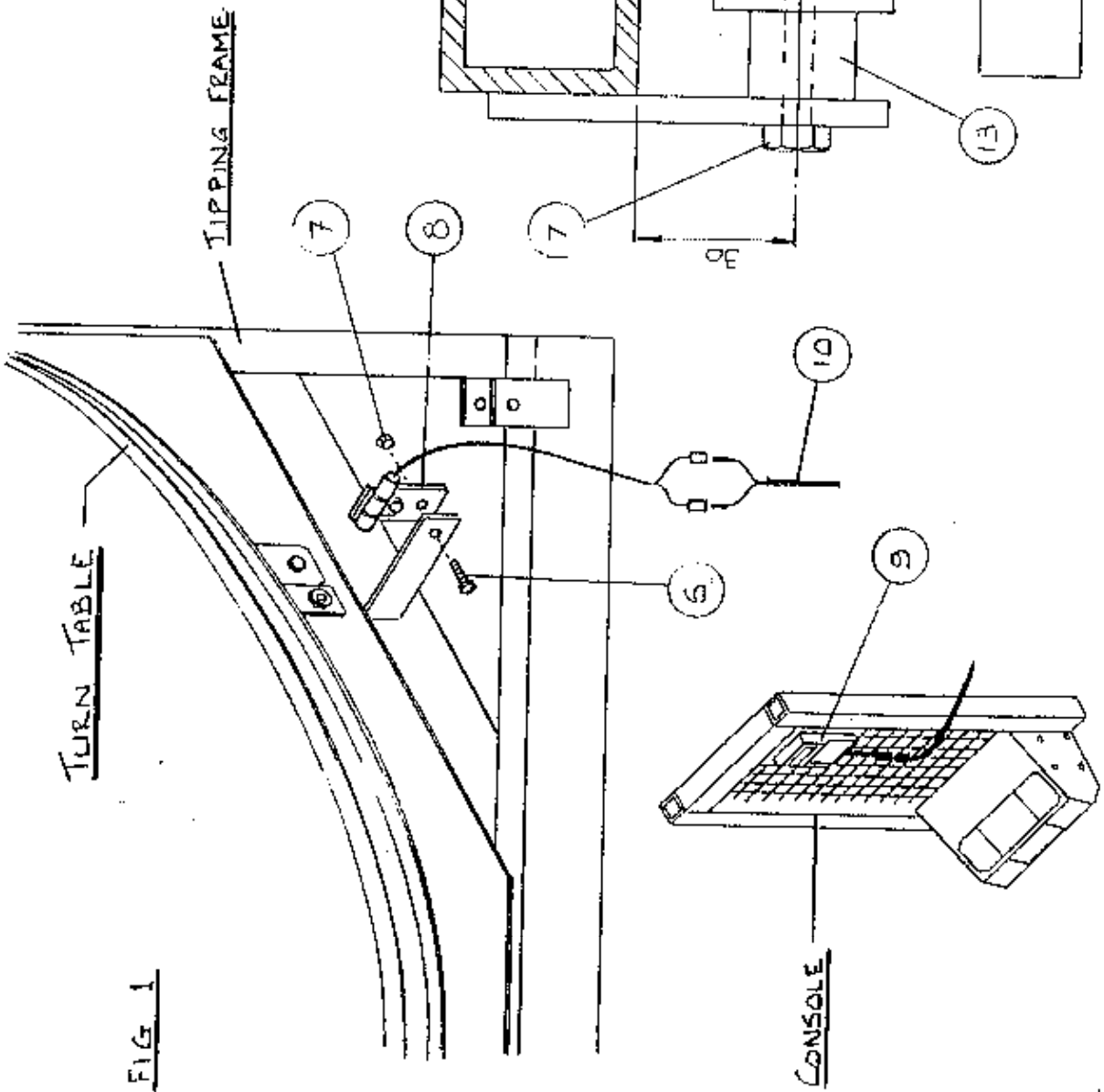
FITTING INSTRUCTIONS

1. Bolt Item 8 to bracket on L.H. Back Corner of tipping frame as shown on Fig. 1.
2. Attach Magnets Item 2 to bracket on turntable using M6 CSK set screw c/w nut and flat washers as shown on Fig. 2.
3. Attach sensor Item 1 to Item 8 using M6 Hex HD set c/w locknut as shown Fig. 2. Ensure there is 6 mm clearance between face of sensor and magnet.
4. Fix display unit using velcro strip to steel plate on mesh guard/console.
5. Connect wiring loom to sensor and run cable forward inside chassis member, then up the leg of the mesh guard frame and connect 5 pin plugs at display unit.
6. Run other cable forward to tractor and using 7 pin plug connect to tractor 7 pin socket.
7. Switch on unit using rocker switch on left of unit. Press the start button to switch on display when it should display the number 15 in the last 2 digits. In the event of an interruption of power supply to unit the display automatically switches off. If this happens, press start button to switch on display.
8. Following the Instructions on the display unit label will enable you to preset the number of turntable revolutions. This is usually 18 or 19 depending on bale size.

TANCO AUTOWRAP 1989 MACHINE
 BALE WRAP INDICATOR
PARTS LIST

ITEM No's	DESCRIPTION	QTY.	PART NO.	CODE No.
1	Sensor c/w mounting clip	1		D603
2	Magnet	2		D603
3	M6 Countersunk Hd. Set x 50mm Lg.	1		Z13-135
4	10mm Dia. Flat Washer	1		Z11-02-10
5	6mm Dia. Spring Washer	1		Z12-02-06
6	M6 Hex Hd. Set x 20mm Lg.	2		Z26-0205
7	M6 Locknuts	3		Z23-06
8	Sensor Mounting Bracket	1	B/R 185	
9	Display Unit	1		} D603
10	Wiring Loom	1		
11	7 Pin Plug	1		
12	7 Pin Socket	1		
13	SPACER	1	B/R 210	

TANCO AUTOMATA, 1990. MACHINE:
BALE WRAP INDICATOR.

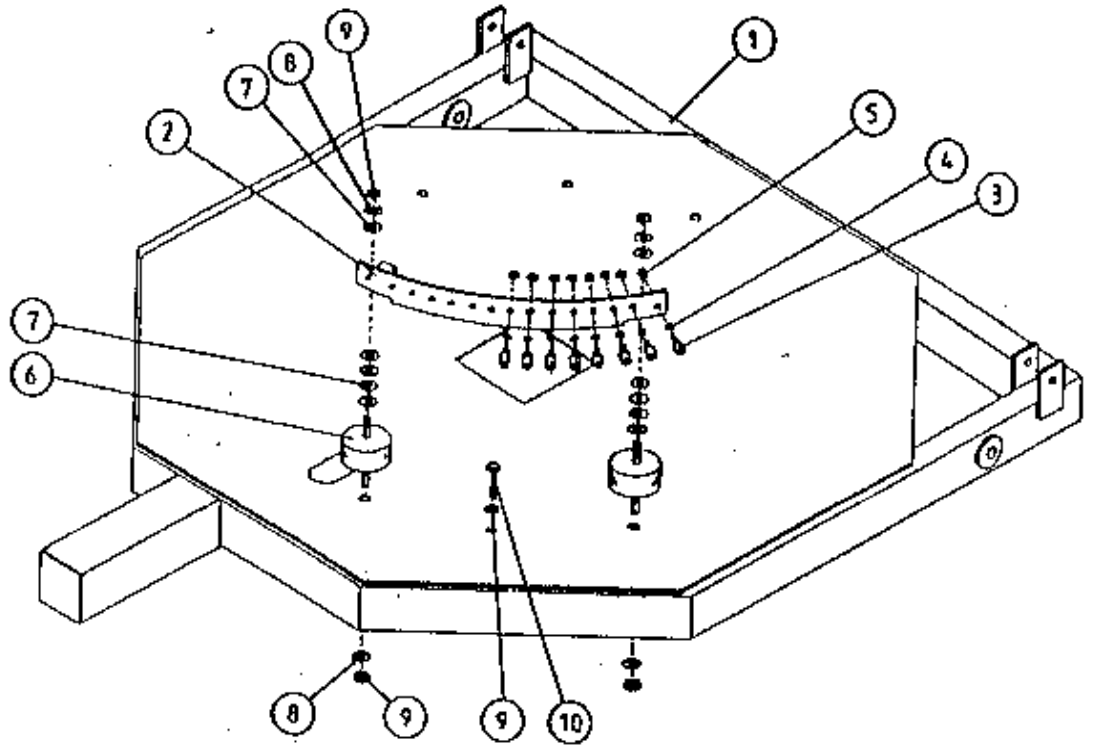


AUTO-WRAP 1989 MODEL
BALE WRAP INDICATOR KIT

DATE 12-04-89
Sheet 1 Off 1

QTY.	DESCRIPTION	PART No.	CODE No.
1	7 Pin Socket & Plug		
1	Sensor c/w Mounting Clip		
1	Sensor Mounting Bracket	B/R 185	
2	Magnet		
2	Velcro Tape 20mm x 50mm		
1	Cable 2 Core C/W Socket		
1	Display Unit C/W Socket		
2	M6 Hex Hd. Set x 20mm Long		Z26-020S
3	M6 Locknuts		Z23-06
1	6mm Dia. Flat Washer (Mch.)		Z11-02-06
1	10mm Dia. Flat Washer (Mch.)		Z11-02-10
1	M6 Countersunk Hd. Set x 50 Long		Z13-135
1	SPACER	B/R 210	

TANCO AUTOWRAP QUADRANT MOUNTING ASSY



SPARE PARTS LIST

TANCO AUTOWRAP

1988

QUADRANT MOUNTING ASSEMBLY

<u>ITEM NO.</u>	<u>DESCRIPTION</u>	<u>QTY.</u>	<u>PART NO.</u>	<u>CODE NO.</u>
1.	TIPPING FRAME ASSY.	1	B/R 101 A	
2.	QUADRANT ASSY.	1	B/R 166 A	
3.	3/4" DIA CAM FOLLOWER	8		206-42
4.	3/8" DIA SPRING WASHERS	8		212-01-06
5.	3/8" UNF HEX NUTS	8		220-06
6.	RUBBER BUFFER	2		240-22
7.	16mm DIA FLAT WASHERS	10		210-02-16
8.	16mm DIA SPRING WASERS	4		212-02-16
9.	M16 HEX NUT	5		218-16
10.	M16 HEX HD. SET x 60 LONG	1		226S-126

TANCO AUTOWRAP

19 TOOTH SPROCKET

3/4" DIA CAM FOLLOWER

2mm MIN

QUADRANT ASSEMBLY

4 OF CAM FOLLOWERS

M 16 HEX NUT

16mm DIA SPRING WASHER

16mm DIA FLAT WASHER

65mm REF

BUFFER

16mm DIA FLAT WASHERS USED TO ADJUST HEIGHT OF QUADRANT ASSEMBLY, ENSURING A MINIMUM GAP OF 2mm BETWEEN CAM FOLLOWER & 19 TOOTH SPROCKET AS SHOWN ABOVE.

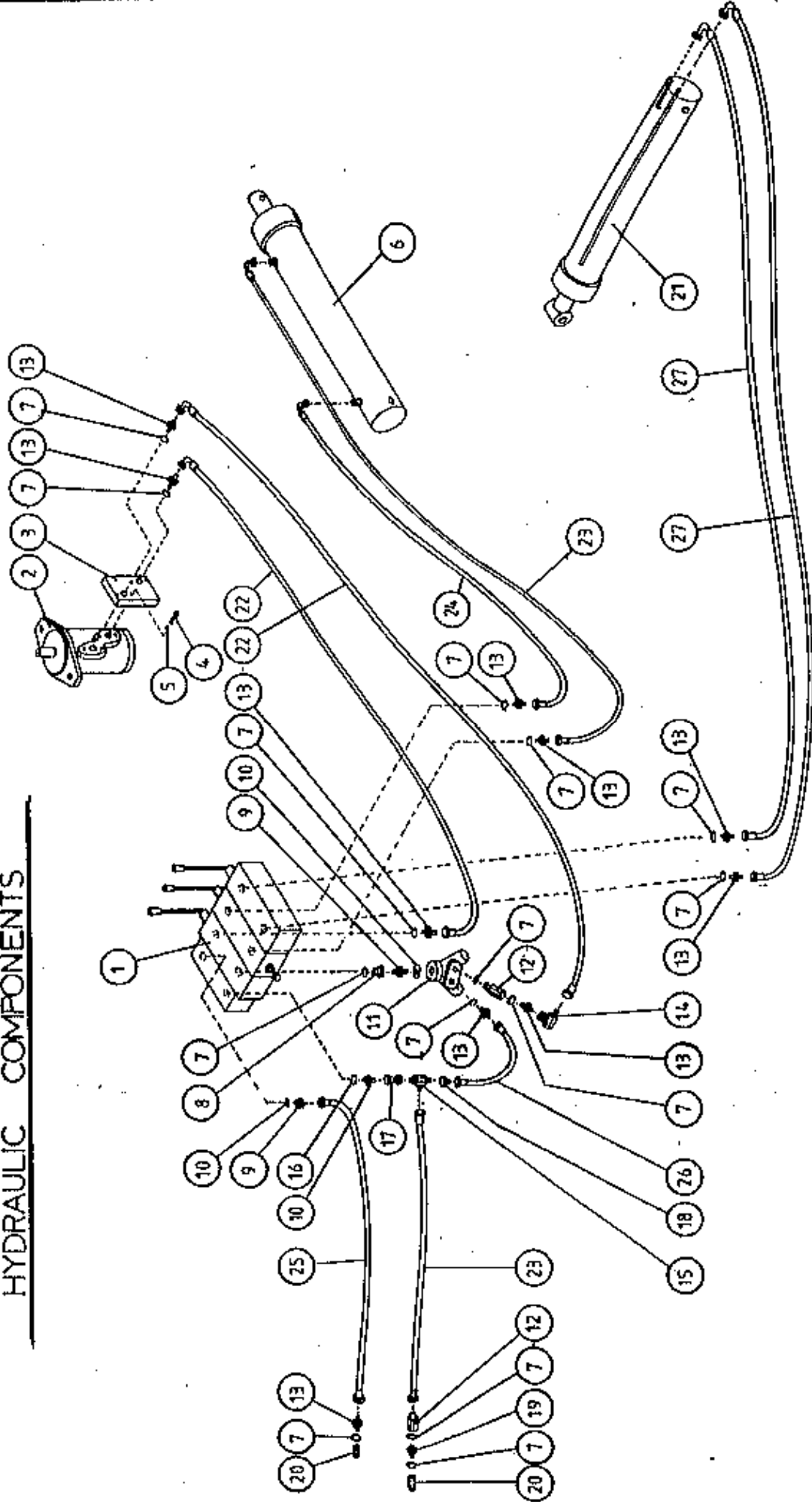
M 16 HEX NUT

16mm DIA SPRING WASHER

TIPPING FRAME

QUADRANT MOUNTING DETAIL.

TANCO AUTOWRAP
HYDRAULIC COMPONENTS



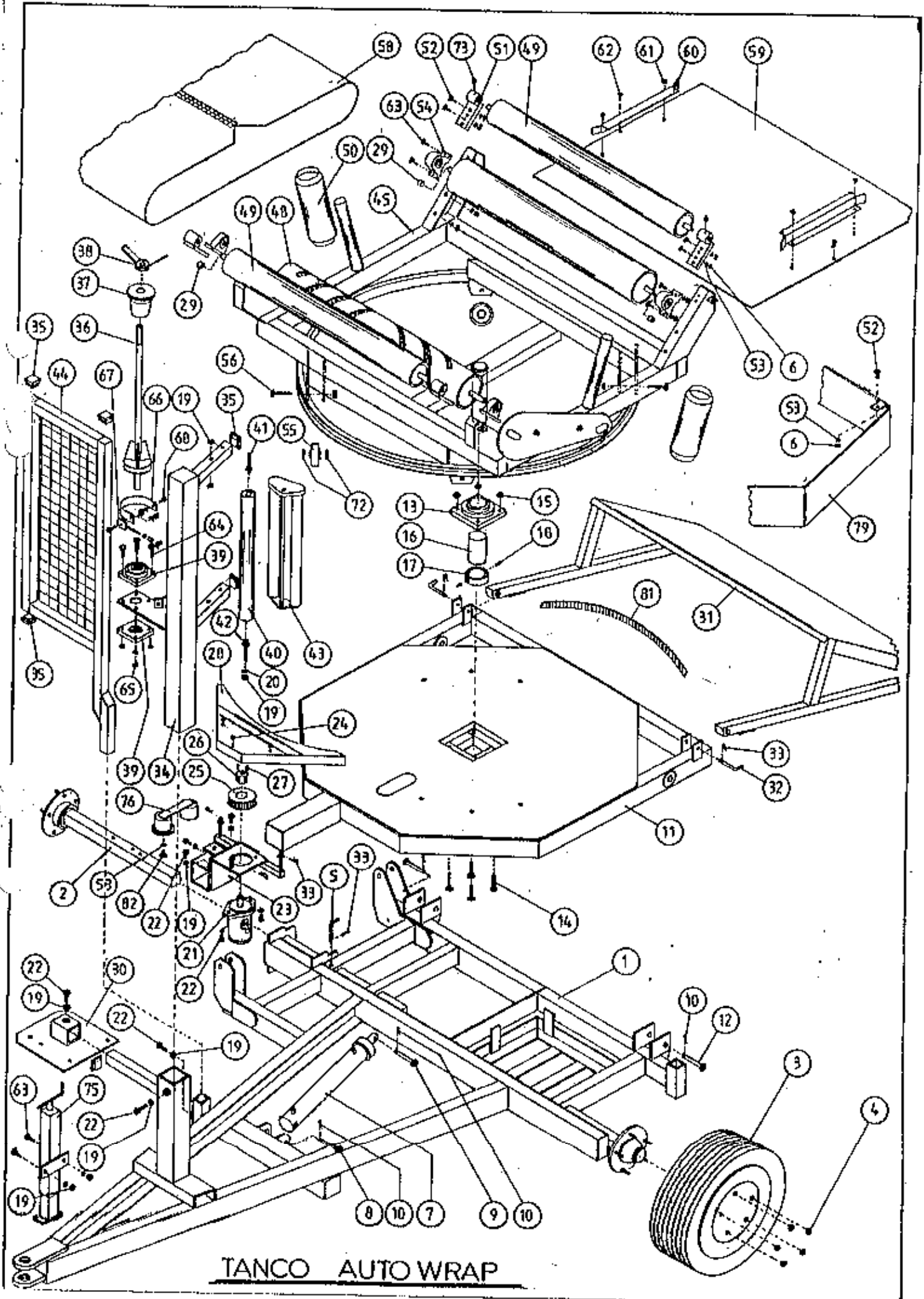
SPARE PARTS LIST

TANCO AUTOWRAP

1988

HYDRAULIC COMPONENTS

<u>ITEM NO.</u>	<u>DESCRIPTION</u>	<u>QTY.</u>	<u>PART NO.</u>	<u>CODE NO.</u>
1.	3 BANK SPOOL VALVE C/W LEVERS 1 A1 SECTION C/W SPOOL RESTRICTOR AND 2 A1 SECTIONS	1		
2.	HYDRAULIC MOTOR VM 75 M	1		Z01-02-AR75
3.	CROSS LINE RELIEF VALVE	1		Z01-03-001
4.	M8 SOCKET HD. SCREWS	4		
5.	8mm DIA SPRING WASHER	4		Z12-02-06
6.	HYD. RAM (FOR TIPPING FRAME)	1		Z01-01-AR68
7.	1/2" DOWTY WASHER	14		Z01-04-03
8.	1/2" MALE x 3/8" FEMALE ADAPTOR	1		Z01-05-08-06
9.	3/4" x 3/8" ADAPTOR	2		Z01-06-06-12
10.	3/4" DOWTY WASHER	3		Z01-04-05
11.	FLOW DIVIDER	1		Z01-03-1045A
12.	1/2" NON RETURN VALVE	2		Z01-03-017
13.	1/2" x 3/8" ADAPTOR	10		Z01-06-06-08
14.	3/8" MALE/FEMALE 90 ELBOW	1		Z01-14-015
15.	1/2" MALE TEE PIECE	1		Z01-11-003
16.	1/2" x 3/4" ADAPTOR	2		Z01-06-08-12
17.	1/2" x 1/2" FEMALE/FEMALE ADAPTOR	1		Z01-16-08-08
18.	1/2" FEMALE x 3/8" MALE ADAPTOR	1		Z01-05-06-08
19.	1/2" x 1/2" ADAPTOR	1		Z01-06-08-
20.	1/2" MALE END Q/R COUPLING	2		Z01-15-081
21.	HYD. RAM (FOR LIFT ARM)	1		Z01-01-AW
22.	96" ST/90 3/8" D/W HOSE	2		Z38-R2-96-S9
23.	84" ST/90 3/8" D/W HOSE	2		Z38-R2-84-S9
24.	72" ST/90 3/8" D/W HOSE	1		Z38-R2-72-S9
25.	72" ST/90 1/2" D/W HOSE	1		Z12-R2-72-S9
26.	12" ST/ST 3/8" D/W HOSE	1		Z38-R27-12SS
27.	126" ST/90 3/8" D/W HOSE	2		Z30-R2-120S9



TANCO AUTO WRAP

SPARE PARTS LIST

FANCO AUTOWRAP

1988

<u>ITEM NO.</u>	<u>DESCRIPTION</u>	<u>QTY.</u>	<u>PART NO.</u>	<u>CODE NO.</u>
1.	CHASSIS ASSY	1	B/R 100 A	
2.	STUB AXLE (ADJUSTABLE)	1		204-033
3.	WHEELS	2		204-03
4.	WHEEL NUTS	10		
5.	BISSEL PIN	1		
6.	M10 HEX NUT	12		Z18-10
7.	HYD. RAM	1		Z01-01-AR607
8.	RAM BOTTOM PIVOT PIN	1	B/T 330	Z03-02-330
9.	RAM TOP PIVOT PIN	1	J-71-50	Z03-03-50
10.	2" x 1/4" SPLIT PIN	4		Z03-21-29
11.	TIPPING FRAME ASSY.	1	B/R 101 A	
12.	TIPPING FRAME PIVOT PIN	2	B/T 54	
13.	50mm DIA FLANGE BEARING	1		Z06-49
14.	5/8" UNF HEX HD.SET x 2" LONG	4		Z30B-064
15.	5/8" UNF LOCKNUTS	4		Z20-10
16.	SPACER	1		
17.	LOCKING COLLAR	1		Z06-01AW
18.	M10 x 15mm GRUB SCREWS	2		
19.	M12 HEX NUT	19		Z18-12
20.	12mm DIA SPRING WASHER	13		Z12-02-12
21.	HYD.MOTOR	1		Z01-02-AR7.
22.	M12 HEX HD SETS x 30mm LONG	8		Z26S-082
23.	HYD. MOTOR MOUNTING ASSY.	1	B/R 103 A	
24.	RUBBER GROMMETS FOR 12mm ROUND	3		
25.	4"DIA x 1/2" PITCH TOOTHED PULLEY	1		Z09-008-AW1
26.	TAPER LOCK BUSH TO SUIT 1" DIA SHAFT	1		Z09-005-AR2
27.	M10 STUDS x 15mm	2		
28.	HYD. MOTOR GUARD ASSY	1	B/R 126 A	
29.	SPACER 1" M.G.B.	3		
30.	SPOOL VALVE MTG. PLATE ASSY.	1	B/R 121 A	
31.	BALE RAMP ASSY.	1	B/R 123 A	
32.	BISSEL PIN	2		
33.	4mm "R" CLIP	6		Z36-02
34.	DISPENSER MOUNTING BRACKET	1	B/R 109 A	

SPARE PARTS LIST

TANCO AUTOWRAP1988

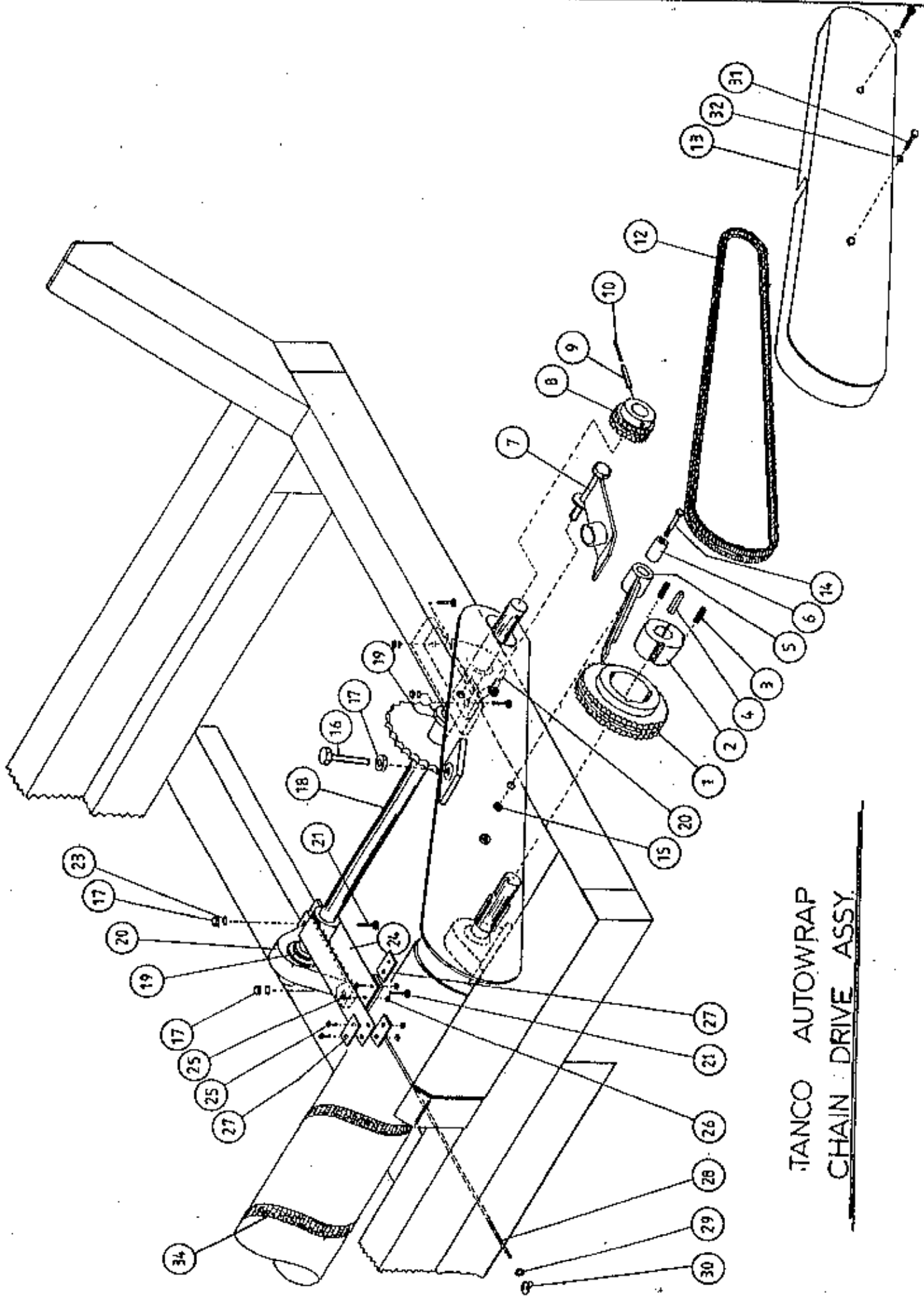
<u>ITEM NO.</u>	<u>DESCRIPTION</u>	<u>QTY.</u>	<u>PART NO.</u>	<u>CODE NO.</u>
35.	PLASTIC CAP	6		Z32-07
36.	SPOOL ASSY.	1	B/R 111 A	
37.	FILM RETAINING BLOCK	1	B/R 149	
38.	WING NUT ASSY.	1	B/R 162 A	
39.	1" FLANGE BEARING	2		Z06-48
40.	SLAVE ROLLER ASSY.	1	B/R 134 A	
41.	SLAVE ROLLER TOP PIVOT	1	B/R 135	
42.	SLAVE ROLLER BOTTOM PIVOT	1	B/R 136	
43.	DISPENSER UNIT	1		D616
44.	FRONT GUARD ASSY.	1	B/R 168 A	
45.	TURN TABLE ASSY.	1	B/R 102 A	
46.				
47.	BIG ROLLER ASSY IDLER	1	B/R 104 A	
48.	BIG ROLLER ASSY. DRIVER	1	B/R 105 A	
49.	SMALL ROLLER ASSY.	2	B/R 106 A	
50.	SIDE ROLLER ASSY.	2	B/R 107 A	
51.	ROLLER MTG. BRACKET	4	B/R 110 A	
52.	M10 HEX HD. SETS X 40mm LONG	12		Z26S-064
53.	10mm DIA SPRING WASHERS	13		Z12-02-10
54.	1" PILLOW BEARING C/W PROTECTOR CAP	4		Z06-47
55.	SUPPORT WHEELS (4"Ø FOR MAIN TURN TABLE	4		Z06-46
56.	M20 HEX HD. BOLTS X 110mm LONG	4		Z26B-1695
57.	M20 LOCKNUTS	4		Z23-20
58.	1 METER WIDE X 69 1/2" LONG X 1/4" FLAT BELT C/W JOINER	1		Z05-02AW
59.	TURN TABLE COVER PLATE ASSY.	1	B/R 114 A	
60.	FLAT BELT GUIDE ASSY.	2	B/R 115 A	
61.	M6 LOCKNUTS	4		Z23-06
62.	M6 HEX HD. SETS X 20mm LONG	2		Z26S-020
63.	M12 HEX HD. SETS X 40mm LONG	10		Z26S-084
64.	M10 HEX HD. BOLT X 50mm LONG	4		Z26B-066
65.	M10 LOCKNUT	4		Z23-10
66.	BAND BRAKE (FILM MAST)	1	B/R 148	
67.	TENSIONER FOR BAND BRAKE (FILM MAST)	1	B/R 118 A	
68.	M8 HEX HD. SET X 35mm LONG	2		Z26S-042

SPARE PARTS LIST

TANCO AUTOWRAP

1988

<u>ITEM NO.</u>	<u>DESCRIPTION</u>	<u>QTY.</u>	<u>PART NO.</u>	<u>CODE NO.</u>
69.	8mm DIA SPRING WASHER	2		
70.	8mm DIA FLAT WASHER - STEEL STAMPED	3		
71.				
72.	SPACER	8	B/R 137	
73.	1/8" BSP ST. GREASE NIPPLE	4		Z39-60
74.				
75.	SCREW JACK ASSY.	1	B/R 130 A	Z49-87
76.	ROSTA TENSIONING UNIT RSE 18	1		Z06-45/455
77.	RUBBER PIPE	1		
78.	M8 WING NUT	1		Z26-08W
79.	MAIN GUARD ASSY.	1	B/R 112 A	
80.	M8 HEX NUT	2		
81.	170" 1/2" PITCH x 1" WIDE TOOTHED BELT	1		Z05-02-AW2
82.	M10 HEX HD. SET x 30mm LONG	1		Z26S-062



TANCO AUTOWRAP
CHAIN DRIVE ASSY

SPARE PARTS LIST

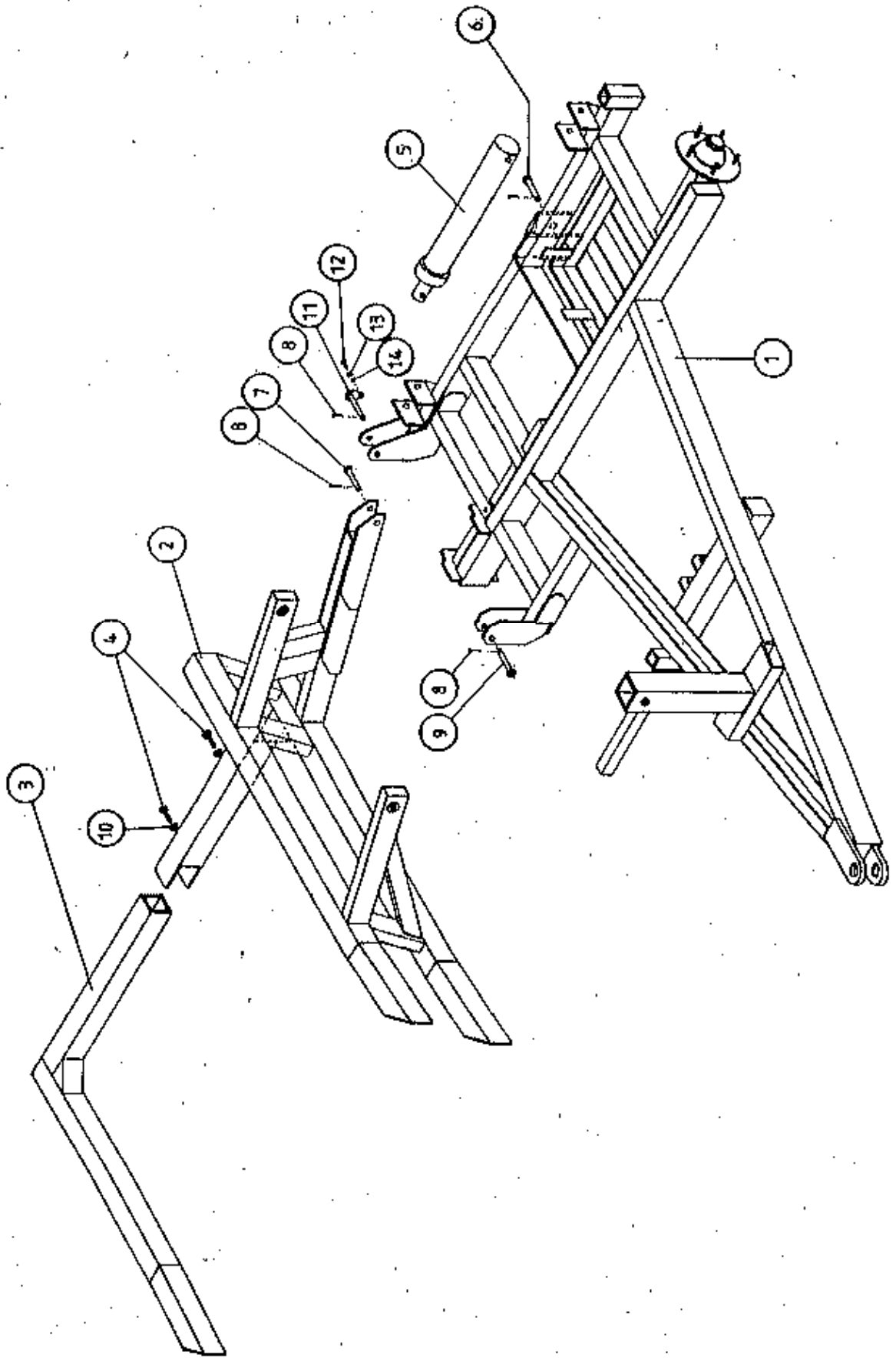
TANCO AUTOWRAP

1988

CHAIN DRIVE ASSEMBLY

<u>ITEM NO.</u>	<u>DESCRIPTION</u>	<u>QTY.</u>	<u>PART NO.</u>	<u>CODE NO.</u>
1.	38 TEETH x 1/2" PITCH DUPLEX SPROCKET	1		Z06-AW2
2.	TAPER LOCK BUSH TO SUIT 1" SHAFT & ABOVE SPROCKET	1		Z06-AW21
3.	STUDS	2		
4.	KEY 6mm SQ x 32mm LONG	1		
5.	PAWL ASSY.	1	B/R 116 A	
6.	INNER SLEEVE	1	B/R 132	
7.	CHAIN TENSIONER ASSY.	1	B/R 117 A	
8.	2" DIA x 15 TEETH x 1/2" PITCH DUPLEX SPROCKET	1		Z06-AW1
9.	5/16" DIA x 45mm LONG TENSION PIN	1		Z03-21-40
10.	3/16" DIA x 45mm LONG TENSION PIN	1		Z03-21-15
11.				
12.	1/2" PITCH DUPLEX CHAIN 51 LINKS INC. JOINER LINK	1		Z09-AW
13.	CHAIN GUARD COVER PLATE	1	B/R 146 A	
14.	M12 HEX HD. BOLT x 60mm LONG	1		Z26B-088
15.	M12 LOCKNUT	2		Z23-12
16.	M12 HEX HD. SET x 60mm LONG	1		Z26B-088
17.	M12 HEX NUT	5		Z18-12
18.	DRIVE SHAFT C/W SPROCKET ASSY.	1		<i>AWD60-SPRA.</i>
19.	BEARING LOCKING COLLAR C/W GRUB SCREW	2		Z06-485
20.	1" PILLOW BLOCK BEARING	2		Z06-47
21.	M12 HEX HD. SET x 40mm LONG	4		Z26S-684
22.				
23.	12mm DIA SPRING WASHER	4		Z12-02-12
24.	BAND BRAKE (SPROCKET SHAFT)	1	B/R 147	
25.	M8 HEX HD SET x 30mm LONG	4		Z26S-641
26.	M8 LOCKNUT	4		Z23-08
27.	CLAMPING PLATE	2	ITEM 651	
28.	TENSIONER FOR BAND BRAKE (SPROCKET SHAFT)	1	B/R 119 A	
29.	10mm DIA FLAT WASHER	1		Z11-02-10
30.	M16 WING NUT	1		Z24-100W
31.	M10 HEX HD. SETS x 50mm	2		Z26S-124
32.	10mm DIA SPRING WASHER	2		Z12-02-16
33.				
34.	GRIPFACE STRIP	2		Z05-02-AW4

TANCO AUTOWRAP LIFT ARM

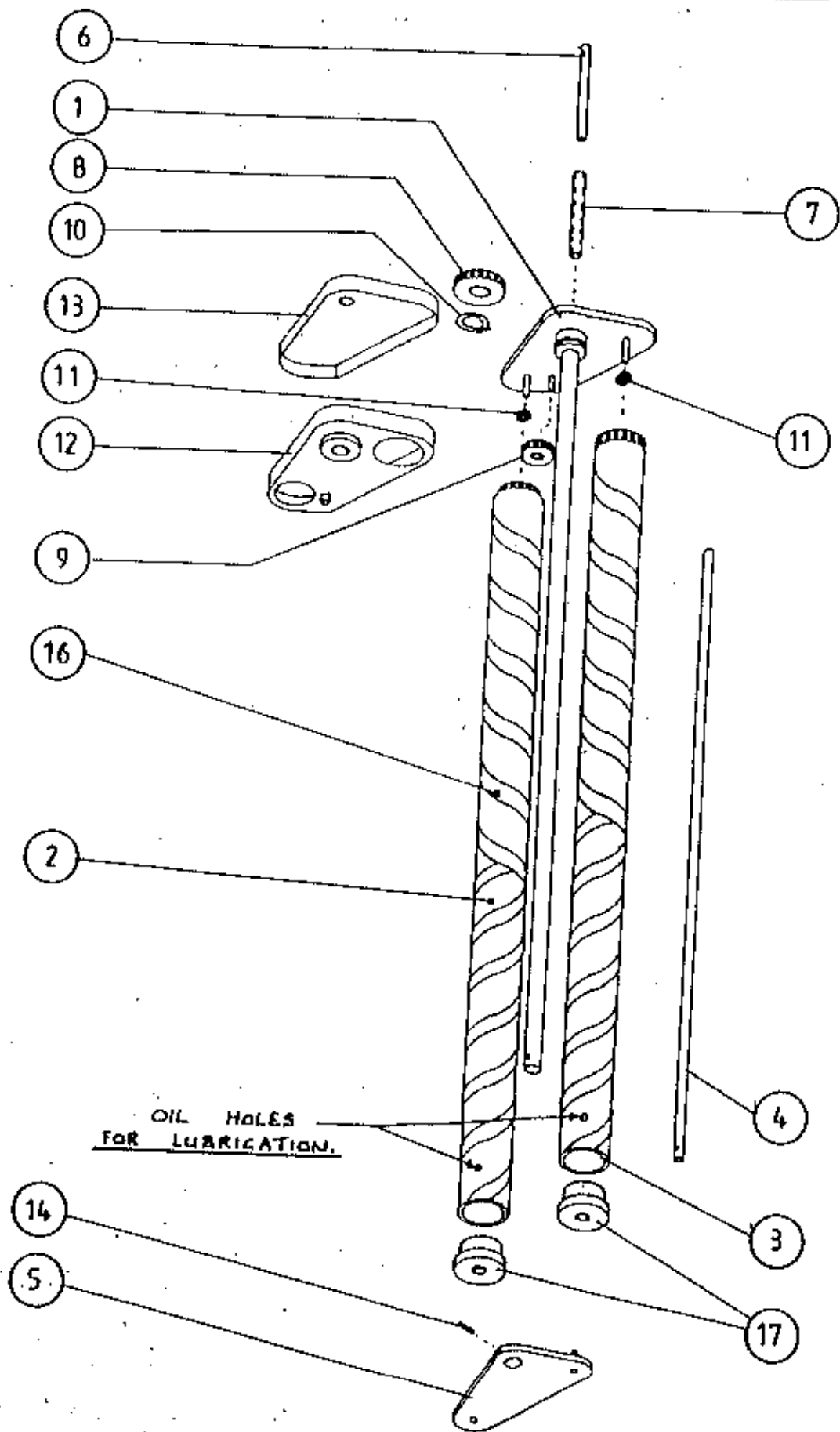


SPARE PARTS LIST

TANCO AUTOWRAP1988LIFT ARM

<u>ITEM NO.</u>	<u>DESCRIPTION</u>	<u>QTY.</u>	<u>PART NO.</u>	<u>CODE NO.</u>
1.	CHASSIS ASSY.	1	B/R 100 A	
2.	LIFT ARM ASSY.	1	B/R 140 A	
3.	ADJUSTABLE OUTER ARM ASSY.	1	B/R 141 A	
4.	M12 HEX HD. SETS X 30mm LONG	2		Z26S-082
5.	HYDRAULIC RAM	1		Z01-01-AW
6.	RAM BOTTOM PIVOT PIN	1	B/T 330 A	Z03-02-330
7.	RAM TOP PIVOT	1	J-71-50	Z03-03-50
8.	2" X 1/4" SPLIT PINS	4		Z03-21-29
9.	LIFT ARM PIVOT PIN	1	BR 150 A	
10.	M12 HEX NUT	2		Z18-12
11.	LIFT ARM PIVOT PIN	1	905/968	Z03-01-905
12.	M10 HEX HD. SET X 25 LONG (TUFLOCK)	1		Z26S-061
13.	10mm DIA SPRING WASHER	1		Z12-02-10
14.	10mm DIA MACHINED FLAT WASHER	1		Z11-02-10

TANCO AUTOWRAP - DISPENSER UNIT



SPARE PARTS LIST

TANCO AUTOWRAPDISPENSER UNIT

<u>ITEM NO.</u>	<u>DESCRIPTION</u>	<u>QTY.</u>	<u>PART NO.</u>	<u>CODE NO.</u>
1.	END PLATE C/W OUTER TUBE	1		D50104
2.	ROLLER C/W 18 TOOTH GEAR	1		D50105
3.	ROLLER C/W 20 TOOTH GEAR	1		D50106
4.	INNER TUBE 530mm LONG	1		D50107
5.	END PLATE	1		D50108
6.	INNER TUBE 64mm LONG	1		D50109
7.	SPRING 11mm O.D. x 37mm LONG x 1mm WIRE	1		D50110
8.	20 TOOTH GEAR	1		D50102
9.	18 TOOTH GEAR	1		D50101
10.	CIRCLIP 20mm I.D.	1		D50111
11.	8mm DIA BELVILLE WASHER	2		D50112
12.	GEAR BOX GUARD INNER	1		D50113
13.	GEAR BOX GUARD OUTER	1		D50114
14.	TENSION PIN 4mm G.D. x 22mm LONG	1		D50115
15.	LARGE BELVILLE WASHER 20mm	2		D50116
16.	FOAM STRIP (PER ROLLER)	2		
17.	Plastic End Cap	2		D50103